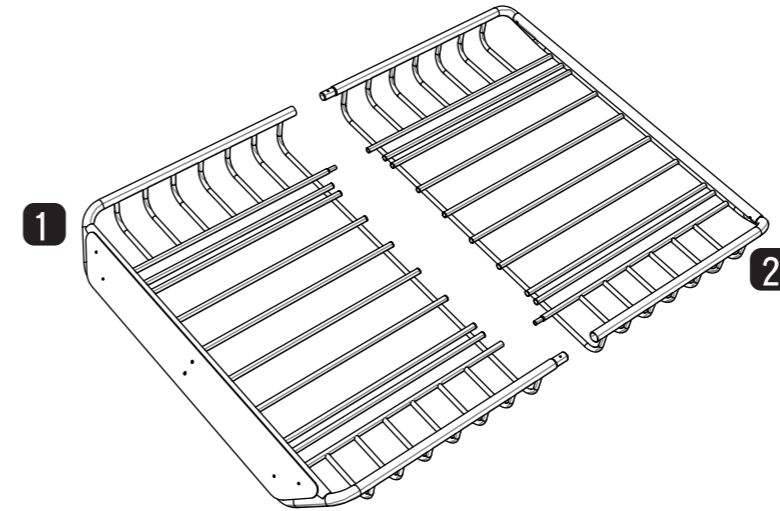


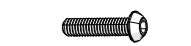


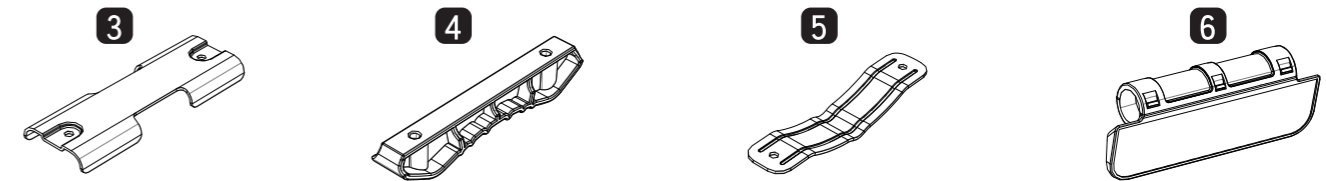


CAUTION

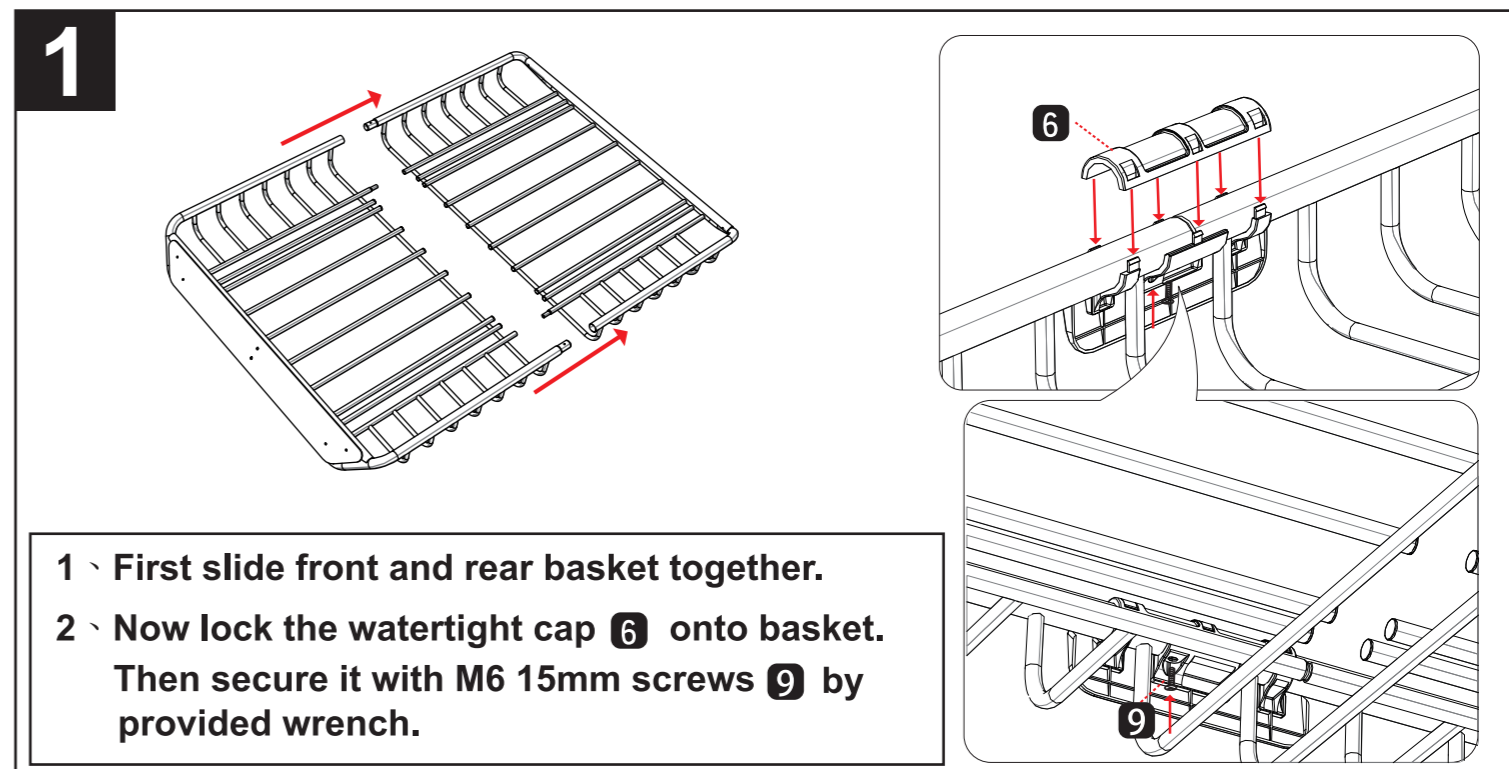
- 1.1 The roof basket has been designed and manufactured to attach securely to a variety of vehicles with cross bars on the roof. The attachment of this cargo basket to a vehicle is beyond the control of the manufacturer. The user must therefore ensure that the roof basket is suitable for use with their particular cross bars and that any items are securely and safely attached to the roof basket.
- 1.2 During the journey, please check the attachment of roof basket to cross bar constantly and cautiously. Retighten the knobs if necessary. Make sure all the parts are in good condition. Contact authorized dealer if any part needs attention.
- 1.3 Always obey the national law about the roof basket.
- 1.4 The maximum load for this roof basket is 75kgs(165 lbs). Do not over load! The minimum distance between two cross bars is 70cm (27.5 in).
- 1.5 Reduce the speed on rough road.
- 1.6 This roof basket is designed for temporary use only, remove when not in use or during the bad weather.
- 1.7 Failure to obey the guideline in the instruction will void the warranty.



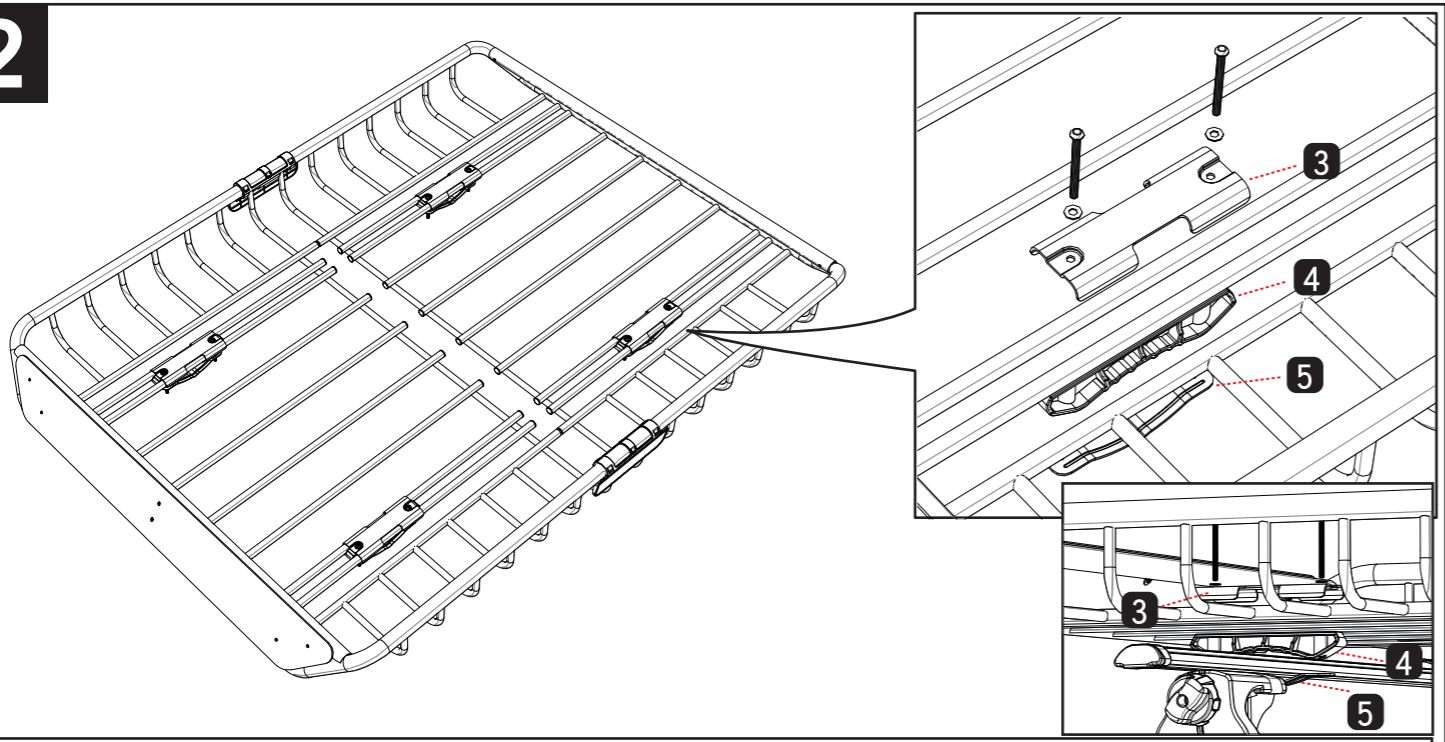
7		X 8
8		X 8
9		X 2
10		X 8
11		X 1



- | | | |
|----------------|------------------|------------------------|
| 1 Front basket | 5 Bottom bracket | 9 15mm M6 screws |
| 2 Rear basket | 6 Watertight cap | 10 washer |
| 3 Top basket | 7 65mm M6 screws | 11 M4 Allen key wrench |
| 4 Saddle | 8 50mm M6 screws | |



2



4 Lock the saddle **4** onto basket. The saddle must sit on the cross bar then secure it with top bracket **3** and bottom bracket **5** and choose bolt with appropriate length, 65mm **7** or 50mm **8** M6 screws available, so that they will not damage the car roof.

